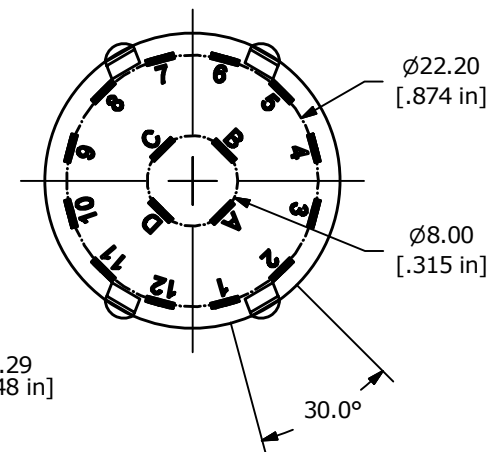
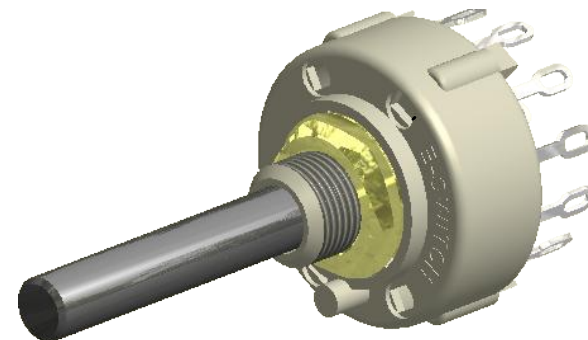
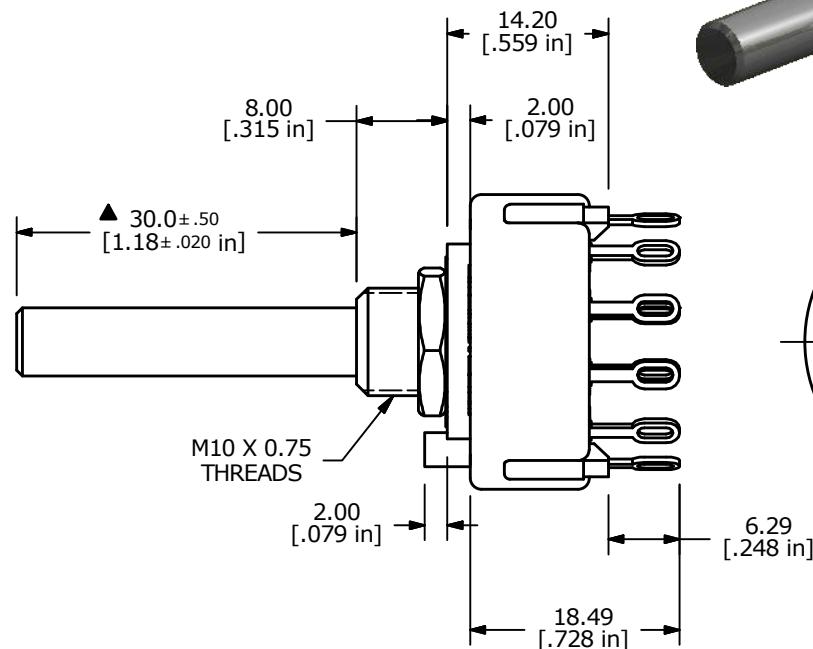
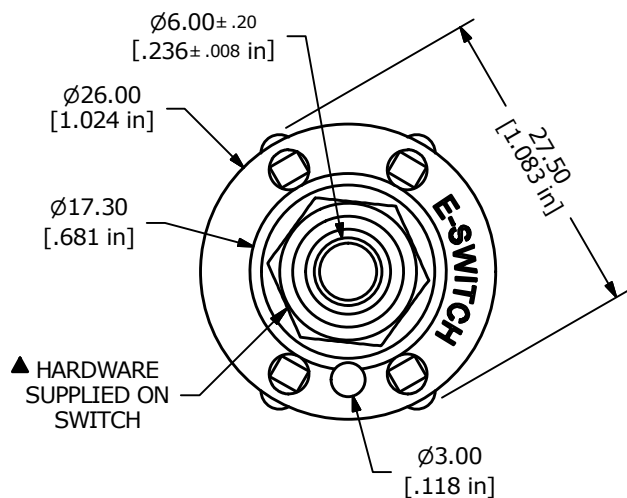


CONTACT CONFIGURATION
TIMING (BBM) NON-SHORTING



NOTE:

1. ALL DIMENSIONS IN MM [INCH].
2. GENERAL TOLERANCE: X.X = ± 0.4
X.XX = ± 0.25
3. TERM. NOS. FOR REFERENCE ONLY.
4. CONTACT MATERIAL: SILVER
5. CONTACT RATING: 150MILLIAMP, 250VAC/DC
350MILLIAMP, 110VAC/DC
6. TIMING: NON-SHORTING
7. OPERATING FORCE 0.8± 0.3 kg-cm
8. OPERATING TEMP: -30°C to 85°C
- ▲ 9. CIRCUIT 4P: 3 POSITION 30° INDEX
10. DIELECTRIC STRENGTH: 1000V RMS MIN.@ SEA LEVEL
- ▲ 11. HARDWARE SUPPLIED ON SWITCH:
LOCKWASHER, HEXNUT, LOCK RING
12. ▲ DENOTES CRITICAL PARAMETER.
13. 2011/65/EU (ROHS) COMPLIANT



A	22714	NEW RELEASE	2/13/17	MJR
REV	PCR NO	DESCRIPTION	DATE	BY

E-SWITCH®				
TITLE KC43B30.002NLS				
SCALE	DATE	DR	DWG	REV
3:2	2/13/2017	MJR	G530256	A

THE INFORMATION CONTAINED IN THIS DOCUMENT IS PROPRIETARY TO E-SWITCH AND IS NOT TO BE COPIED OR TRANSFERRED